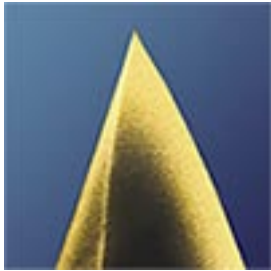
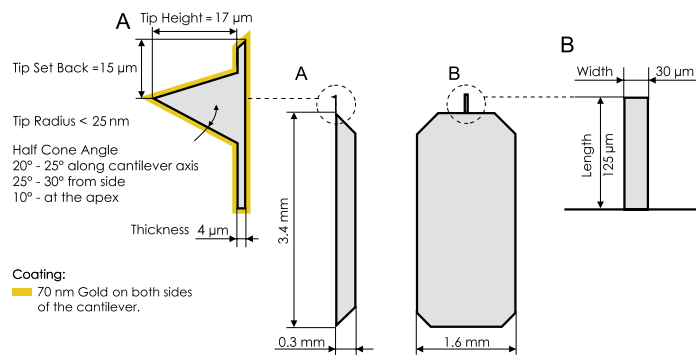




# AFM probe Model: Tap300GB



- Non-Contact , Tapping and Special Applications
- Rotated Monolithic Silicon Probe  
Symmetric Tip Shape  
Chipsize: 3.4 x 1.6 x 0.3 mm
- Coating: Overall gold coating with a nominal thickness of 70nm on both sides of the cantilever. This coating also enhances the laser reflectivity of the cantilever.
- This probe uses an “on scan angle” symmetric tip to provide a more symmetric representation of features over 200 nm.



	Typical Values	Range
Resonant Frequency	300 kHz	+/- 100 kHz
Force Constant	40 N/m	20 - 75 N/m
Cantilever Length	125 $\mu\text{m}$	+/- 10 $\mu\text{m}$
Mean Width	30 $\mu\text{m}$	+/- 5 $\mu\text{m}$
Thickness	4 $\mu\text{m}$	+/- 1 $\mu\text{m}$
Tip Height	17 $\mu\text{m}$	+/- 2 $\mu\text{m}$
Tip Set Back	15 $\mu\text{m}$	+/- 5 $\mu\text{m}$
Tip Radius	< 25 nm	
Coating	Overall Gold Coating	
Half Cone Angle	20° - 25° along cantilever axis 25° - 30° from side 10° at the apex	

Order Code	Units in Package	Coating	Price
Tap300GB-10	10 pieces	overall Gold coating	\$240
Tap300GB-50	50 pieces	overall Gold coating	\$1000