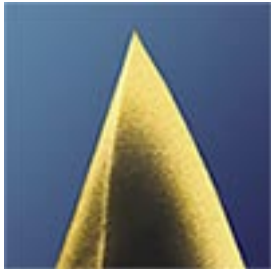
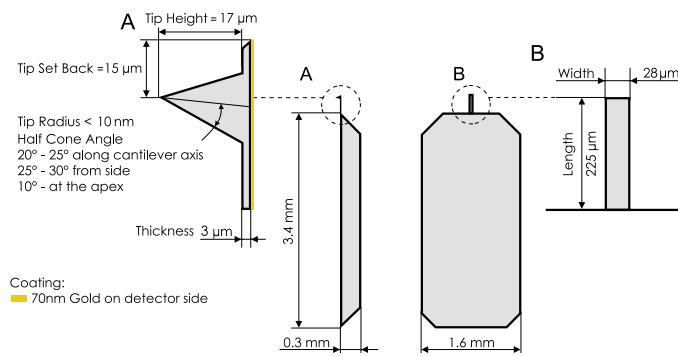




AFM probe Model: **Multi75GD**



- Force Modulation, Pulsed Force Mode (PFM)
- Rotated Monolithic Silicon Probe
Symmetric Tip Shape
Chipsize: 3.4 x 1.6 x 0.3 mm
- Coating: Gold coating of 70nm on the back side of the cantilever.
This coating enhances the laser reflectivity of the cantilever.
- This probe uses an “on scan angle” symmetric tip to provide a more symmetric representation of features over 200 nm.



	Typical Values	Range
Resonant Frequency	75 kHz	+/- 15 kHz
Force Constant	3 N/m	1 - 7 N/m
Cantilever Length	225 μm	+/- 10 μm
Mean Width	28 μm	+/- 5 μm
Thickness	3 μm	+/- 1 μm
Tip Height	17 μm	+/- 2 μm
Tip Set Back	15 μm	+/- 5 μm
Tip Radius	< 10 nm	
Coating	Gold coating on detector side of the cantilever	
Half Cone Angle	20° - 25° along cantilever axis 25° - 30° from side 10° at the apex	

Order Code	Units in Package	Coating	Price
Multi75GD-10	10 pieces	Gold - detector side	\$240
Multi75GD-50	50 pieces	Gold - detector side	\$1000